



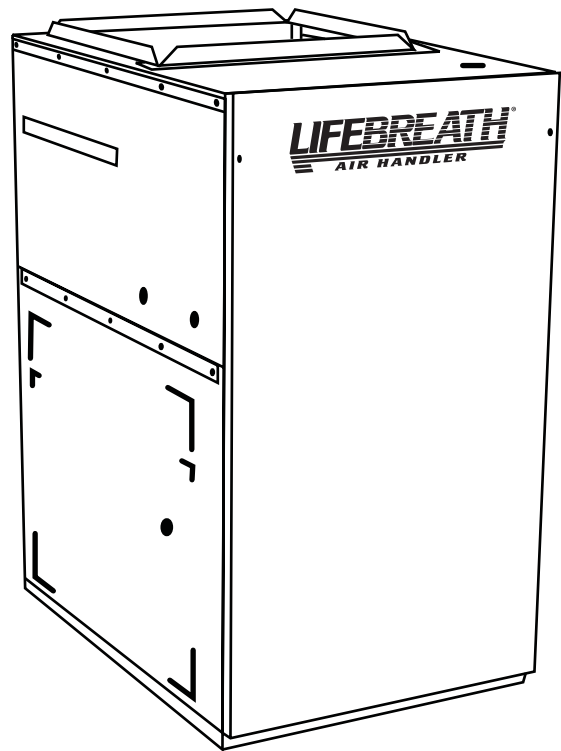
Breathe easy

Lifebreath Hydronic Air Handler

Hydronic heat produces a uniform and temperate supply air temperature eliminating hot/cold spikes in the home.

Features and Benefits

- High efficiency, optional ECM motor.
- Add-on cooling capacity - 2 to 4 tons.
- Heating output 25,000 to 110,000 BTUH.
- 3 speed direct drive blower motor.
- Aircom electronics with additional relays for interlocking external devices (boiler, humidifier, etc.).
- Upflow configuration.
- Includes circulation pump.



Output

Model AH-U-S4A-24-P16 (34,000 to 85,000 BTUH)

Install up to 2 tons of add-on air conditioning

Model AH-U-S2A-30-P16 (25,000 to 56,000 BTUH)

Install up to 2.5 tons of add-on air conditioning

Model AH-U-L2A-36-P16 (25,000 to 68,000 BTUH)

Install up to 3 tons of add-on air conditioning

Model AH-U-L4A-36-P16 (37,000 to 110,000 BTUH)

Install up to 3 tons of add-on air conditioning

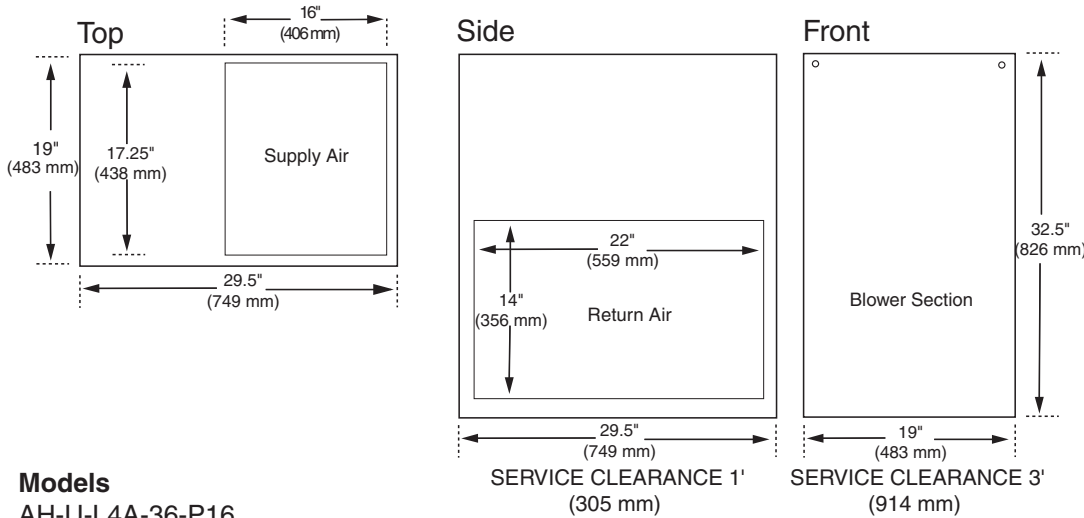
Model AH-U-L2B-48-P16 (37,000 to 79,000 BTUH)

Install up to 4 tons of add-on air conditioning

Models

AH-U-S4A-24-P16

AH-U-S2A-30-P16



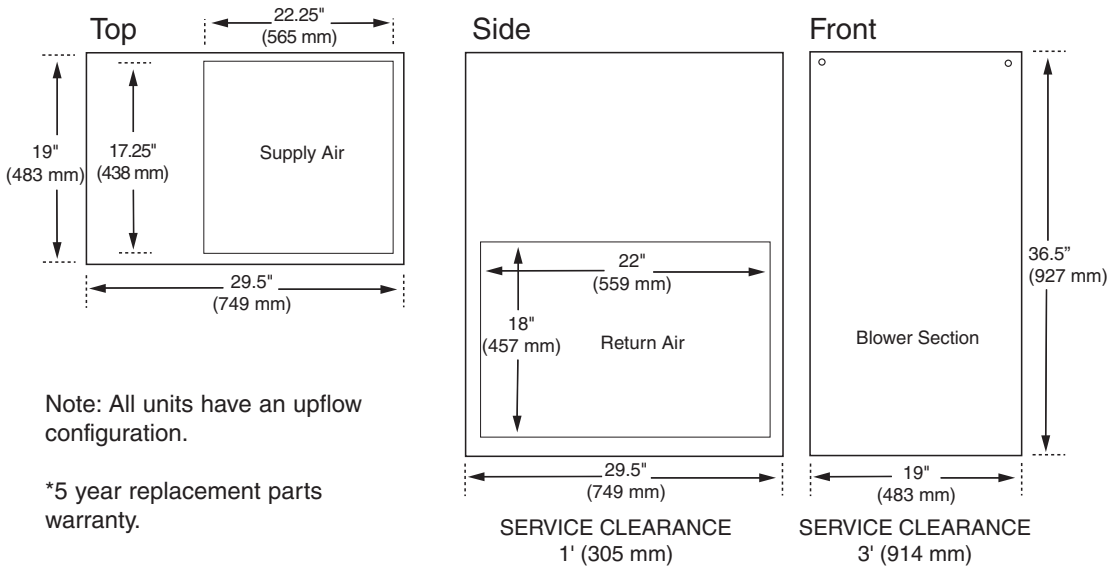
| Model | AH-U-S4A-24-P16 |
|-------------------|---|
| Voltage | 120 VAC 60 Hz |
| Hp | 1/3 |
| Amps (total) | 8 |
| Water Connections | 1/2" (12 mm) Copper Soldered Connection |
| Airflow (High) | .25 in wg 1030 CFM .5 in. wg 890 CFM |
| Net Weight | 111 lbs. |
| Shipping Weight | 130 lbs. |

Models

AH-U-L4A-36-P16

AH-U-L2A-36-P16

AH-U-L2B-48-P16



| Model | AH-U-S2A-30-P16 |
|-------------------|--|
| Voltage | 120 VAC 60 Hz |
| Hp | 1/3 |
| Amps (total) | 8 |
| Water Connections | 1/2" (12 mm) Copper Soldered Connection |
| Airflow (High) | .25 in wg 1280 CFM .5 in. wg 1075 CFM |
| Net Weight | 111 lbs. |
| Shipping Weight | 130 lbs. |

Note: All units have an upflow configuration.

*5 year replacement parts warranty.

| Model | AH-U-L4A-36-P16 |
|-------------------|--|
| Voltage | 120 VAC 60 Hz |
| Hp | 1/2 |
| Amps (total) | 10.6 |
| Water Connections | 3/4" (19 mm) Copper Soldered Connection |
| Airflow (High) | .25 in wg 1350 CFM .5 in. wg 1180 CFM |
| Net Weight | 121 lbs. |
| Shipping Weight | 140 lbs. |

| Model | AH-U-L2A-36-P16 |
|-------------------|--|
| Voltage | 120 VAC 60 Hz |
| Hp | 1/2 |
| Amps (total) | 10.6 |
| Water Connections | 1/2" (12 mm) Copper Soldered Connection |
| Airflow (High) | .25 in wg 1402 CFM .5 in. wg 1220 CFM |
| Net Weight | 121 lbs. |
| Shipping Weight | 140 lbs. |

| Model | AH-U-L2B-48-P16 |
|-------------------|--|
| Voltage | 120 VAC 60 Hz |
| Hp | 1/2 |
| Amps (total) | 12.2 |
| Water Connections | 1/2" (12 mm) Copper Soldered Connection |
| Airflow (High) | .25 in wg 1967 CFM .5 in. wg 1639 CFM |
| Net Weight | 135 lbs. |
| Shipping Weight | 155 lbs. |



511 McCormick Blvd.
London, Ontario N5W 4C8
T (519) 457-1904
F (519) 457-1676
Email: nutech@lifebreath.com

270 Regency Ridge, Suite 210
Dayton, Ohio 45459
T (937) 439-6676
F (937) 439-6685
Website: www.lifebreath.com

